



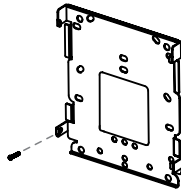
WatchGuard® AP

Quick Start Guide

AP230W

Schnellstartanleitung
Guide de
démarrage rapide

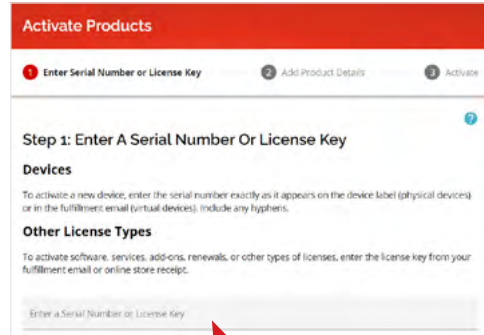
Guía Rápida
クイックスタート・ガイド



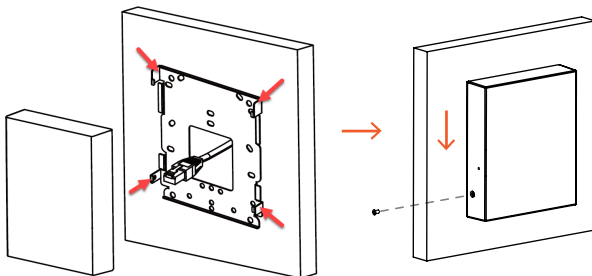
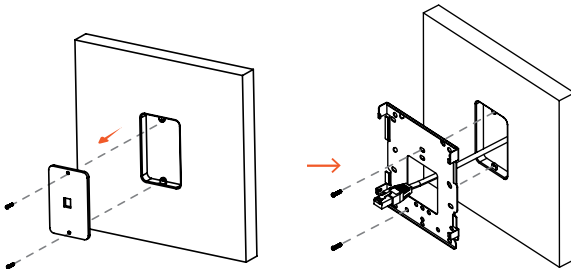
Mounting Bracket

1 ACTIVATE Activar Aktivieren Activar 有効化する

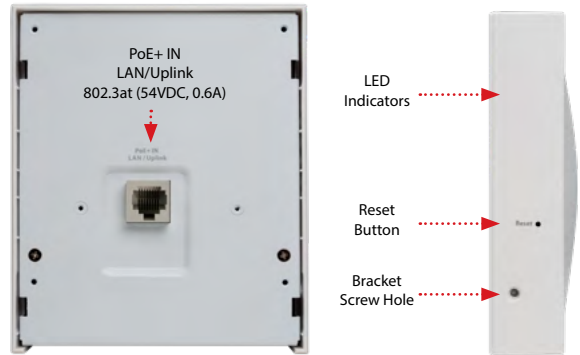
watchguard.com/activate



2 INSTALL Installer Installieren Instalar インストールする



3 CONNECT Connector Verbinden Conectar 接続する



Power Options	
WG8599 (US), WG8600 (EU), WG8601 (UK), WG8602 (AUS)	WatchGuard 802.3at PoE+ Injector with AC cord
WG9028 (US), WG9029 (EU), WG9030 (UK), WG9031 (AUS)	Power Supply for WatchGuard AP230W

4 CONFIGURE Configurer Konfigurieren Configurar 構成する



Wi-Fi in WatchGuard Cloud



watchguard.com/start

Hereby, WatchGuard Technologies Inc. declares that the radio equipment type AP230W Wireless Access Point is in compliance with Directive 2014/53/EU. The full text of the EU declaration of conformity is available at: <https://www.watchguard.com/wgrd-help/documentation/hardware-guides>

This device has software that cannot affect compliance with the Radio Equipment Directive (RED) 2014/53/EU, even if the software is changed or replaced.

This device is restricted to indoor use when operating in the 5150 to 5350 MHz frequency range in the indicated countries.

AT	BE	BG	CH	CY	CZ
DE	DK	EE	EL	ES	FI
FR	HR	HU	IE	IS	IT
LI	LT	LU	LV	MT	NL
NO	PL	PT	RO	SE	SI
SK	TR	UK(NI)			

Radio Frequencies	Max Power
2412 - 2472 MHz	19.77 dBm
5180 - 5240 MHz	22.81 dBm
5260 - 5320 MHz	22.83 dBm
5500 - 5700 MHz	26.34 dBm

NOTICES:

All WatchGuard products are designed and tested to meet strict safety requirements. These requirements include product safety approvals and other global compliance standards. Please read these instructions carefully before operating the product, and refer to them as needed to ensure the continued safe operation of your product. Additional information about the hardware, including additional languages, a full list of safety approvals, global compliance standards, and certifications can be found in the Hardware Guide for this device located on the WatchGuard website:

<https://www.watchguard.com/wgrd-help/documentation/hardware-guides>

- Do not place objects on the power cord.
- Do not obstruct the ventilation openings. These openings prevent overheating of the machine.
- Never push objects of any kind into slots or openings on this equipment. Making a contact with a voltage point or shorting out a part may result in fire or electrical shock.
- When removing or installing an appliance, follow the general installation safety instructions.

If protective earthing is used as a safeguard, the instructions shall require connection of the equipment protective earthing conductor to the installation protective earthing conductor (for example, by means of a power cord connected to a socket-outlet with earthing connection). To meet safety and electromagnetic interference (EMI) requirements, you must make sure the power source is connected to earth ground before you connect power to the device.

Connect the PoE interface only to PoE networks, without routing to the outside plant.

This product is intended to be supplied by a Listed Power Adapter or DC power source marked "L.P.S." (or Limited Power Source or PS2) rated 54V DC, 1A minimum, maximum ambient temperature (Tma)=40°C, or supplied by a Listed PoE Adapter marked "L.P.S." (or Limited Power Source or PS2) rated 54VDC, 0.6A minimum, maximum ambient temperature (Tma)=40°C. For more information regarding approved power sources, see the Hardware Guide for this device.

This product is for indoor use only.

Declaration of Conformity

WatchGuard Technologies, Inc.
255 S. King St., Suite 1100
Seattle, WA 98104 USA

WatchGuard Technologies Inc. hereby declares that the product(s) listed below conform to the European Union directives and standards identified in this declaration.

Radio Equipment
WatchGuard Wireless Access Point, AP230W
CE Markings
Electromagnetic Compatibility (2014/53/EU)
Energy-related Products (2009/125/EC)
RoHS (2011/65/EU) (2011/65/EU) (RoHS)
WEEE Directive 2012/19/EU
The Radio Equipment Directive (2014/53/EU)
Common Standards
EN IEC 62311-1:2020 Safety for TE
EN 50522-2019(A) 2019 EMC and Radio Spectrum Matters
EN 50523-2019(A) 2019 Radio Spectrum Matters
EN 50524-2019(A) 2019 EMC and Radio Spectrum Matters
EN 61000-3-2:2013/A2:2021 Harmonics
EN 61000-3-3:2013/A2:2021 Flicker
Other Standards
EN IEC 62311-2:2020
EN 301 488-17 v2.2 (2019-11) EMC and Radio Spectrum Matters
EN 301 488-17 v2.2 (2020-09) EMC and Radio Spectrum Matters
EN 301 589 v2.2 (2019-02) Radio Spectrum Matters
EN 301 589 v2.1 (2017-02) Radio Spectrum Matters

The device complies with Directive 2014/53/EU issued by the Commission of the European Community.

Manufacturer / Hersteller: WatchGuard Technologies
255 S. King St., Suite 1100, Seattle, WA 98104 USA
Radio Equipment / Funkanlage: #021 WatchGuard Wireless Access Point
Type Designation / Typenbezeichnung: AP230W
Identification / Identifizierung: #021 / #021/WatchGuard (2.4GHz & 5GHz)
Intended Purpose / Anwendungszweck: Cloud managed wireless indoor access point
Software Version / Softwareversion: 2.0 and higher, Cloud managed
Equipment Class / Betriebsart der Ausrüstung: Class B
Operating Temperature / Betriebstemperatur: 0° C to 40° C

The above device complies with the essential requirements and other relevant provisions to Directive 2014/53/EU when used for its intended purposes. The equipment may be operated in the USA, Canada, & Europe Union. This device has software that cannot affect compliance with the Radio Equipment Directive (RED) 2014/53/EU, even if the software is changed or replaced.

Die oben genannte Ausrüstung entspricht den grundlegenden Anforderungen und anderen relevanten Bestimmungen der Richtlinie 2014/53/EU, wenn für den vorgesehenen Zweck verwendet werden. Dieses Gerät ist für die Verwendung in den USA, Kanada, und Europäischen Union. Dieses Gerät verfügt über Software, die die Einhaltung der Richtlinie über Funkausrüstung (RED) 2014/53/EU nicht beeinträchtigen kann, selbst wenn die Software geändert oder ersetzt wird.

Signature:

Laurence Huang

Full Name: Laurence Huang
Position: Hardware Program Manager
Date and Place of Issue: July 25, 2023, Seattle, WA, USA



A full list of safety approvals, global compliance standards, and certifications can be found in the Hardware Guide for this device located on the www.watchguard.com/wgrd-help/documentation/hardware-guides

WATCHGUARD TECHNICAL SUPPORT

1.877.232.3531 (U.S. and Canada) +1.206.613.0456 (all other countries)

www.watchguard.com/support

ADDRESS: 255 S. King St. Suite 1100, Seattle, WA 98104

U.S. SALES: 1.800.734.9905 • INTERNATIONAL SALES: +1.206.613.0895

WEB: www.watchguard.com

